

STEREO INTEGRATED AMPLIFIER

KAF-1030/3030R/3030R-S

SERVICE MANUAL

KENWOOD

© 2000-3/B51-5611-00 (K/K) 1704

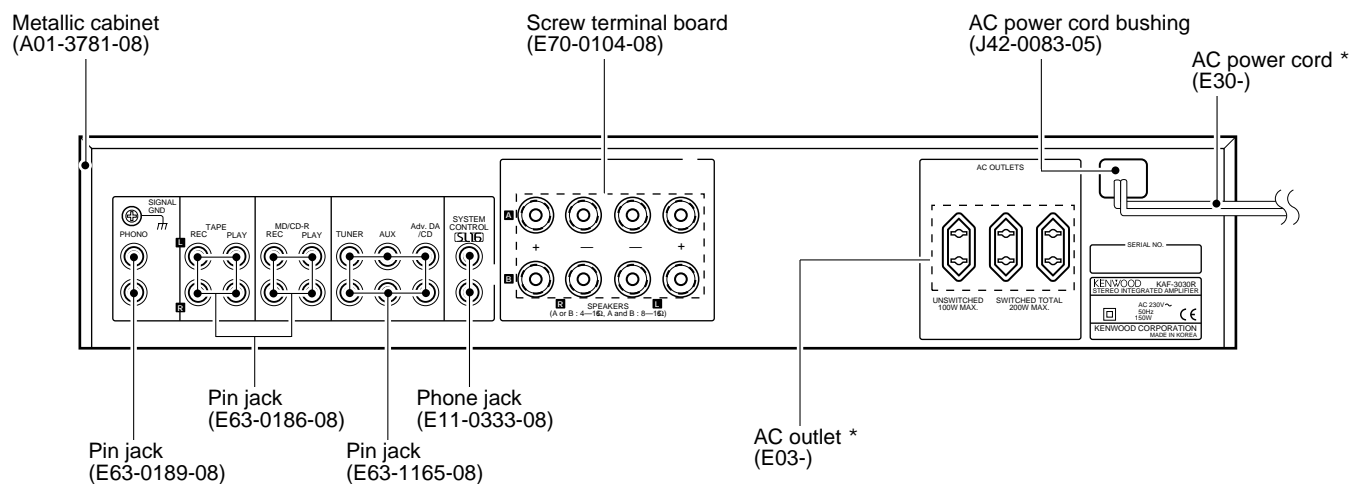
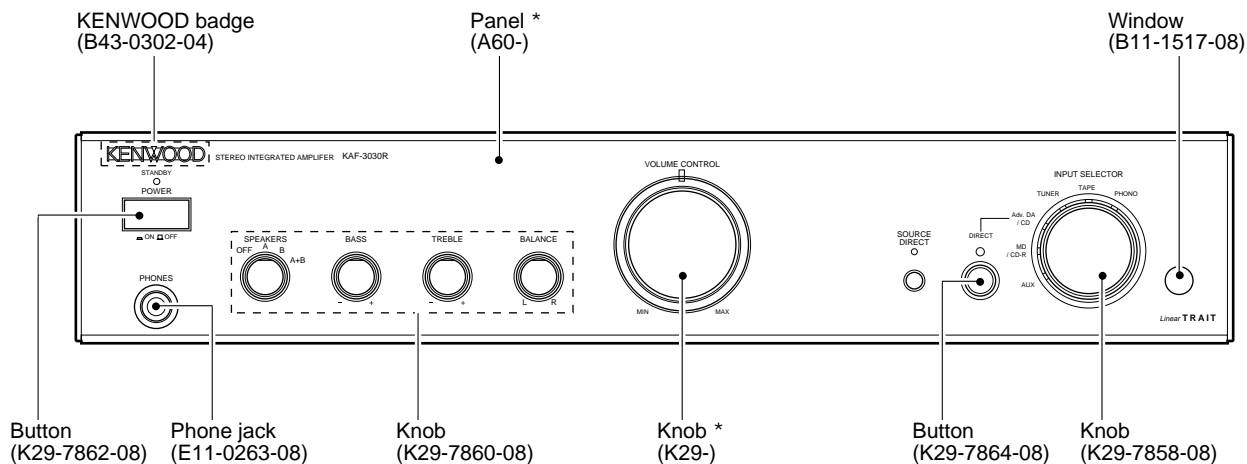


Illustration is KAF-3030R.
* Refer to parts list on page 16.

Caution: No connection of ground line if disassemble the unit.
Please connect the ground line on rear panel, PCBs, Chassis and some others.



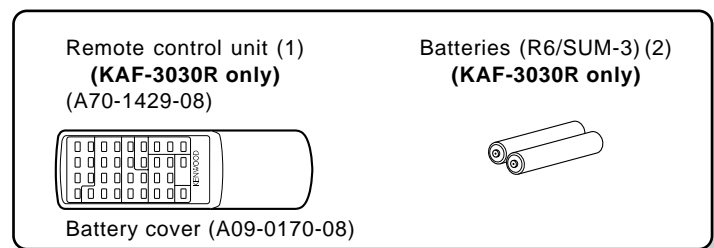
KAF-1030/3030R

CONTENTS / ACCESSORIES

Contents

| | | | |
|------------------------------|---|-------------------------|----|
| CONTENTS / ACCESSORIES | 2 | SCHEMATIC DIAGRAM | 11 |
| CONTROLS | 3 | EXPLODED VIEW | 15 |
| CIRCUIT DESCRIPTION | 5 | PARTS LIST | 16 |
| ADJUSTMENT | 6 | SPECIFICATIONS | 19 |
| PC BOARD | 7 | | |

Accessories



Cautions

Operation to reset

The microcomputer may fall into malfunction (impossibility to operate, erroneous display, etc.) when the power cord is unplugged while power is ON or due to an external factor. In this case, execute the following procedure to reset the microcomputer and return it to normal condition.

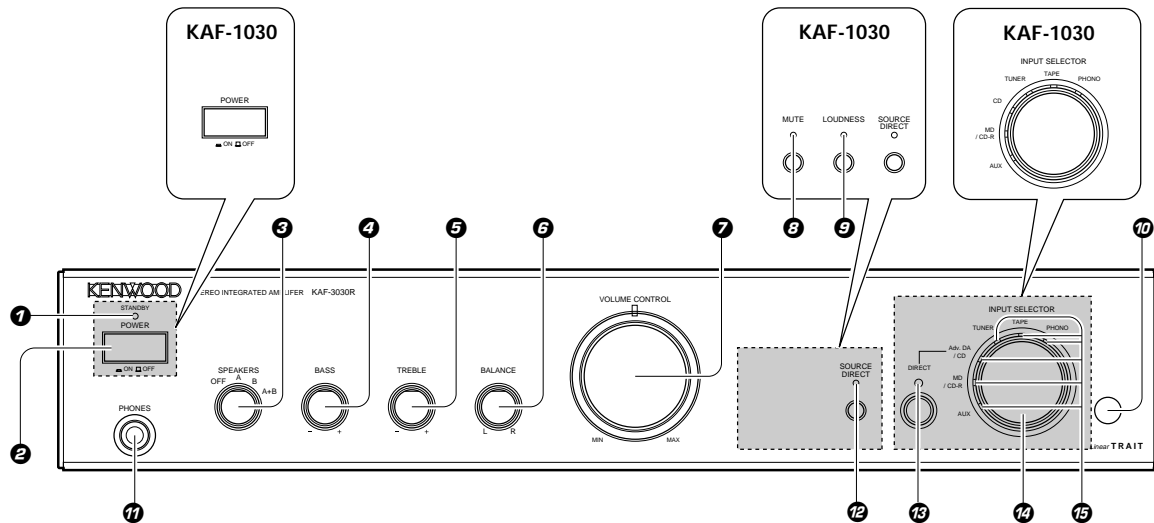
Set the POWER to OFF then, while holding down the SOURCE DIRECT key, set the POWER switch to ON.

- Please note that resetting the microcomputer clears the contents stored in it and returns it to the condition when it left the factory.

KAF-1030/3030R

CONTROLS

Main unit




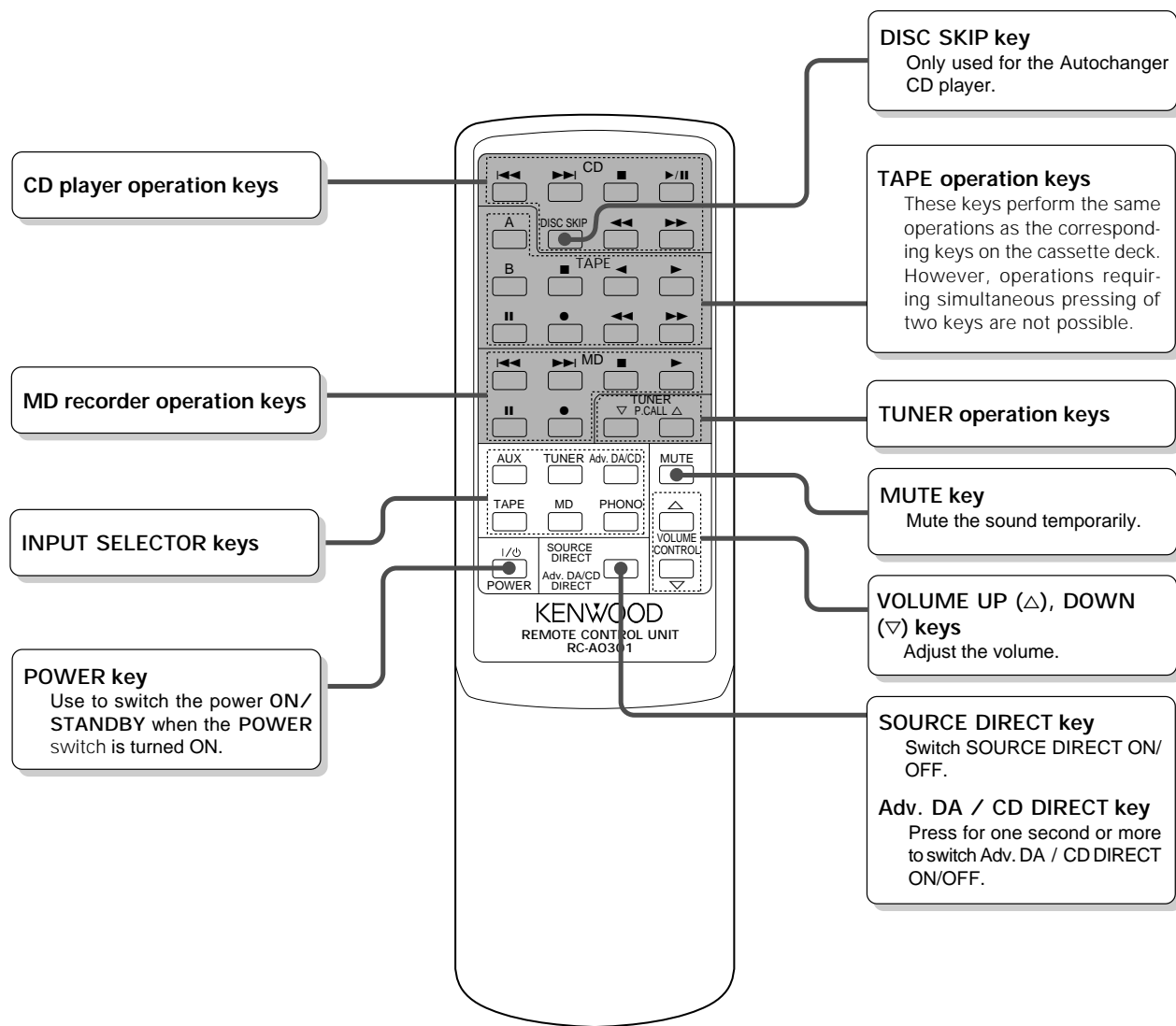
- 1** **STANDBY indicator (KAF-3030R only)**
- 2** **POWER switch**
- 3** **SPEAKERS A/B switches**
Turn to select the A and/or B speakers systems.
- 4** **BASS knob**
To adjust low frequencies.
- 5** **TREBLE knob**
To adjust high frequencies.
- 6** **BALANCE knob**
Adjust the volume balance between left and right.
- 7** **VOLUME CONTROL knob**
Adjust the volume.
- 8** **MUTE key/indicator (KAF-1030 only)**
Mute the sound temporarily.
- 9** **LOUDNESS key/indicator (KAF-1030 only)**
Use to emphasize deep bass sounds.
- 10** **Remote Sensor (KAF-3030R only)**
- 11** **PHONES jack**
Used for headphone listening.
- 12** **SOURCE DIRECT key/indicator**
To listen to a source with high quality sound.
- 13** **Adv. DA / CD DIRECT key/indicator (KAF-3030R only)**
To listen to a Advanced Digital Audio source with high quality sound.
- 14** **INPUT SELECTOR knob**
Turn to select the input sources.
- 15** **INPUT indicator**
An indicator lights for the source selected with the **INPUT SELECTOR** knob.

KAF-1030/3030R

CONTROLS

Remote control unit (KAF-3030R only)

The  part of the illustration designates keys that can be used to operate KENWOOD components connected with the system control. The rest of the illustration designates keys that have the same functions as the keys on the main unit.



Model: RC-A0301
Infrared ray system

KAF-1030/3030R

CIRCUIT DESCRIPTIONS

1. Microprocessor

Pin description

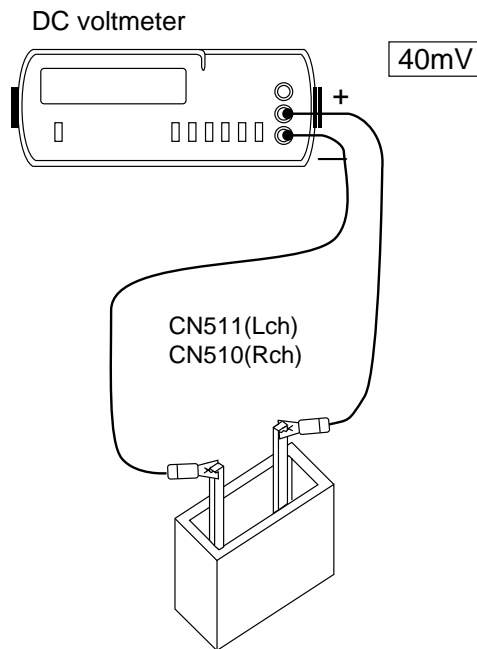
| Pin No. | Pin Name | I/O | Description | ACTIVE | |
|---------|----------------|-----|--|--------|-----|
| | | | | H | L |
| 1 | VDD | - | Power supply(+5.0V). | | |
| 2 | REMOCON | I | Remote control signal input. KAF-3030 only | | |
| 3 | VDD | - | Power supply(+5.0V). | | |
| 4,5 | NC | - | Unused. | | |
| 6 | MAIN MUTE | O | Control port of audio muting. | OFF | ON |
| 7 | MD REC MUTE | O | MD REC muting control. | | |
| 8 | TAPE REC MUTE | O | TAPE REC muting control. | | |
| 9 | POWER RELAY | O | Control port of standby relay. | | |
| 10 | SP. RELAY A | O | A speaker relay control. | | |
| 11 | SP. RELAY B | O | B speaker relay control. | | |
| 12 | DVD RELAY | O | DVD relay control port. | | |
| 13-15 | NC | - | Unused. | | |
| 16 | SP. A IN | I | Input port of A speaker selector. | | |
| 17 | SP. B IN | I | Input port of B speaker selector. | | |
| 18 | NC | - | Unused. | | |
| 19 | STB | O | Strobe output to input selector. | | |
| 20 | CLK | O | Clock output to input selector. | | |
| 21 | DATA | O | Data output to input selector. | | |
| 22 | SYSCON DATA | I/O | System serial data input/output. KAF-3030 only | | |
| 23 | SYSCON BUSY | I/O | System serial busy input/output. KAF-3030only | | |
| 24 | KEY IN | I | Input port of key signal. | | |
| 25 | VOLUME DOWN | O | Control port of motor volume(down). | ON | OFF |
| 26 | VOLUME UP | O | Control port of motor volume(up). | ON | OFF |
| 27 | MD/CD-R LED | O | Control port of MD/CD-R LED. | | |
| 28 | TAPE LED | O | Control port of TAPE LED. | | |
| 29 | AUX LED | O | Control port of AUX LED. | | |
| 30 | RESET | I | Reset signal input. | | |
| 31 | EXTAL | - | 10MHz oscillator. | | |
| 32 | XTAL | - | 10MHz oscillator. | | |
| 33 | VSS | - | Ground. | | |
| 34 | TUNER LED | O | Control port of TUNER LED. | | |
| 35 | CD/AD-DA CD | O | Control port of CD/AD-DA CD LED. | | |
| 36 | PHONO LED | O | Control port of PHONO LED. | | |
| 37 | DVD DIRECT LED | O | Control port of DVD DIRECT LED. | | |
| 38 | SOURCE LED | O | Control port of SOURCE LED. KAF-3030 only | | |
| 39 | LOUDNESS LED | O | Control port of SOURCE LED. KAF-1030 only | | |
| 40 | MUTE LED | O | Control port of MUTE LED. KAF-1030 only | | |
| 41 | STNDBY LED | O | Control port of STANDBY LED. KAF-3030 only | | |
| 42 | MAIN VOL. LED | O | Control port of vol. LED. | | |
| 43 | LOUDNESS | O | Control port of loudness. LED. KAF-1030 only | OFF | ON |
| 44-71 | NC | - | Unused. | | |
| 72 | VDD | - | Power supply(+5.0V). | | |
| 73 | NC | - | Unused. | | |
| 74,75 | ENCODER IN | I | Data input of encoder(input selector). | | |
| 76,77 | ENCODER SP | - | Unused. | | |
| 78 | POWER OFF | I | Power off signal input. | OFF | ON |
| 79 | PROTECTION | I | Detection port of protection. | OFF | ON |
| 80 | 3030/1030 SEL | - | Unused. | | |

KAF-1030/3030R

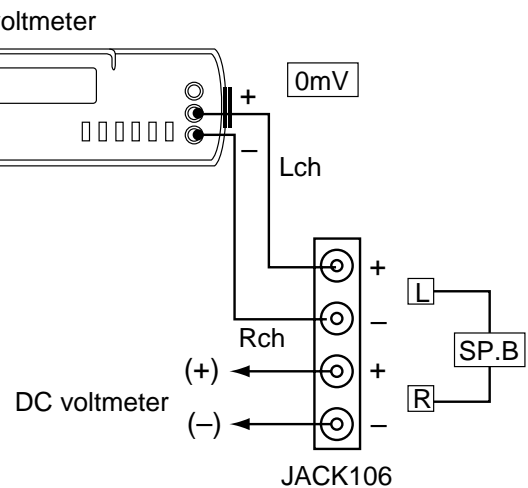
ADJUSTMENT

| No. | ITEM | INPUT SETTINGS | OUTPUT SETTINGS | AMPLIFIER SETTINGS | ALIGNMENT POINTS | ALIGN FOR | FIG. |
|--|--------------|----------------|---|--------------------|--|-----------|------|
| Unless otherwise specified, the individual switches should be set as following : POWER : ON SPEAKER : B SELECTOR : CD | | | | | | | |
| 1 | IDLE CURRENT | — | Connect a DC voltmeter as figure CN511 (Lch), CN510 (Rch). (MAIN PCB) | VOLUME : 0 | VR203 (Lch) VR204 (Rch) (MAIN PCB) | 40 mV | (a) |
| 2 | OFF SET | — | Connect a DC voltmeter to speaker terminal (JACK106) as figure. | VOLUME : 0 | VR201 (Lch) VR202 (Rch) (MAIN PCB) | 0 mV | (b) |

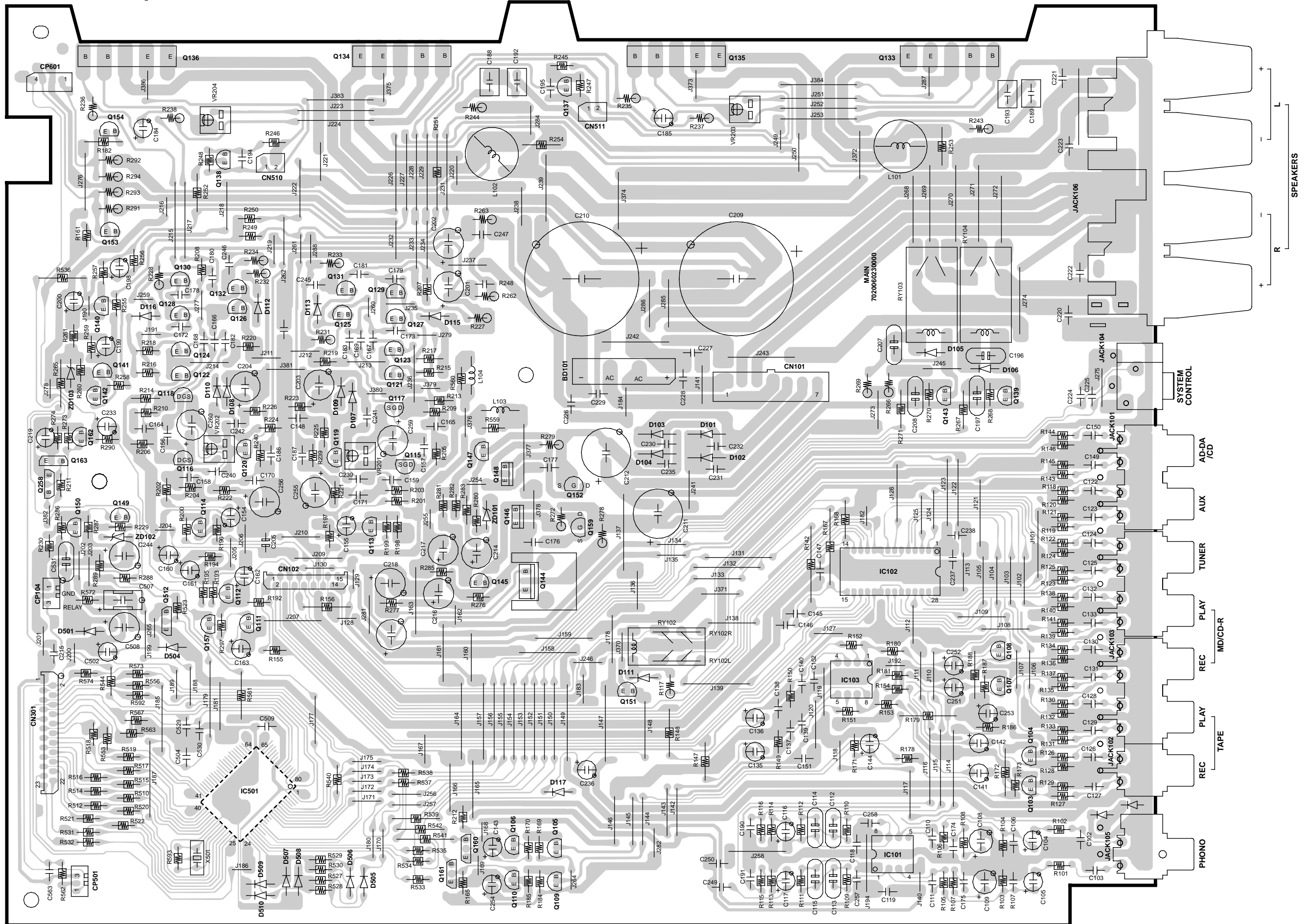
(a)



(b)

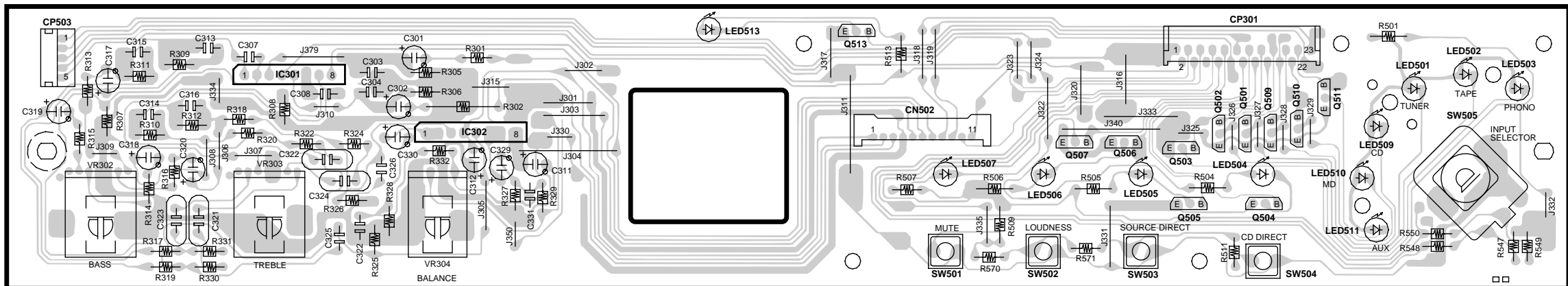
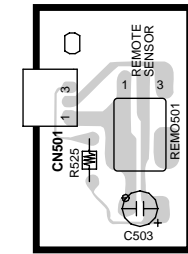
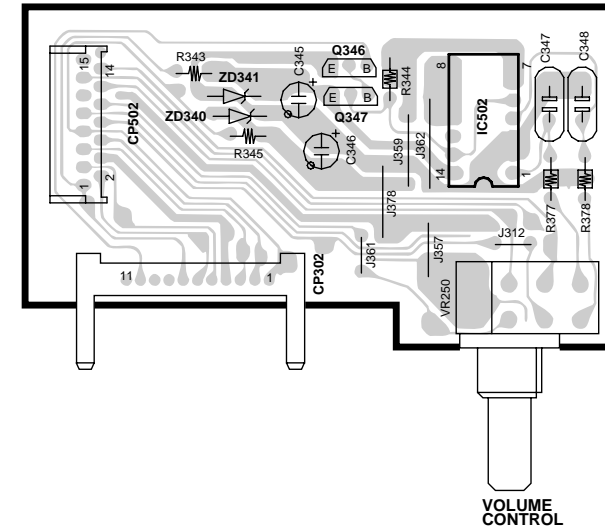
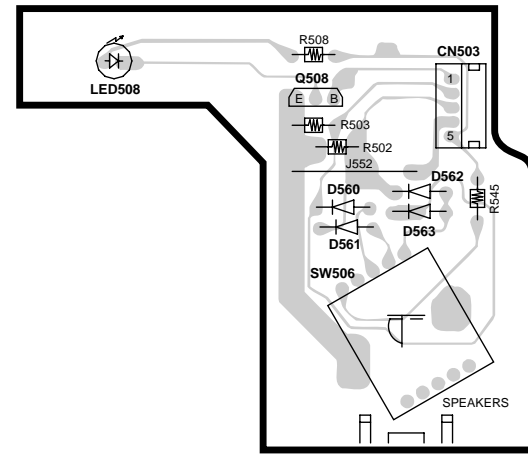
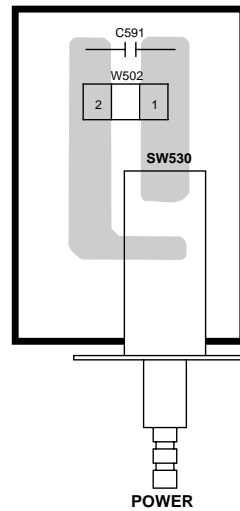
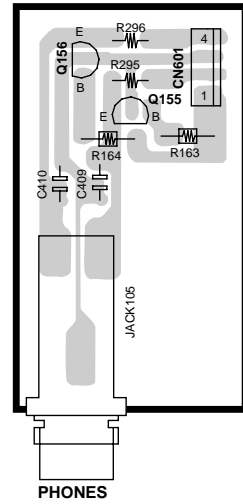
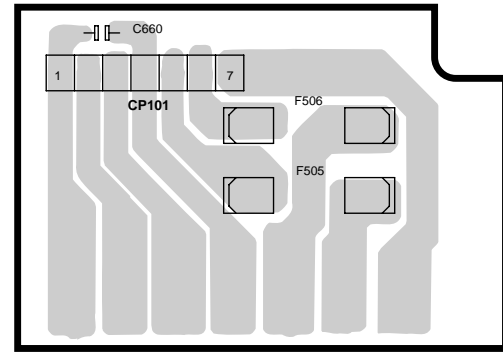
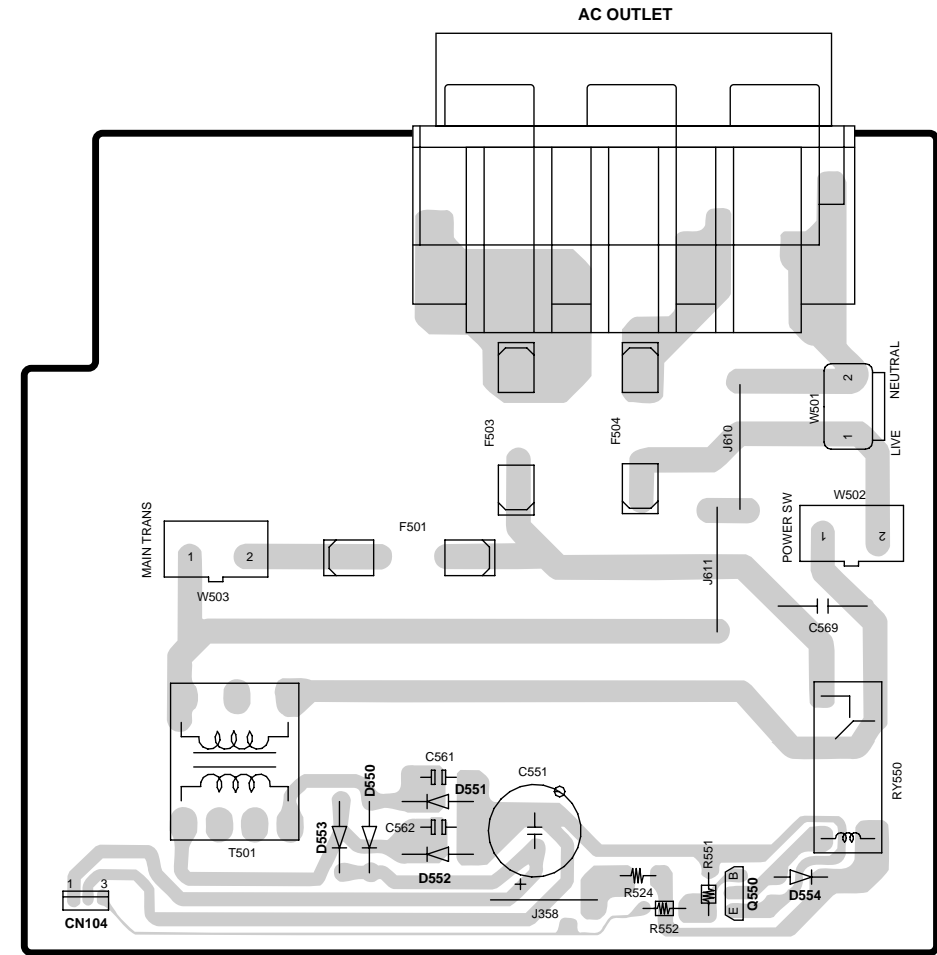
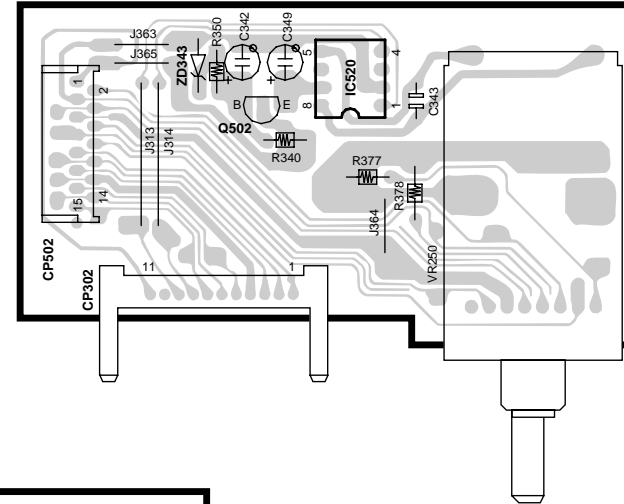
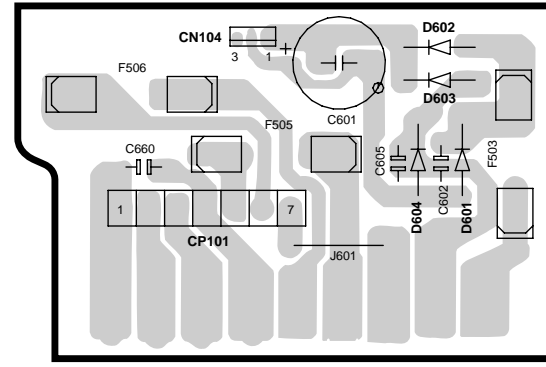
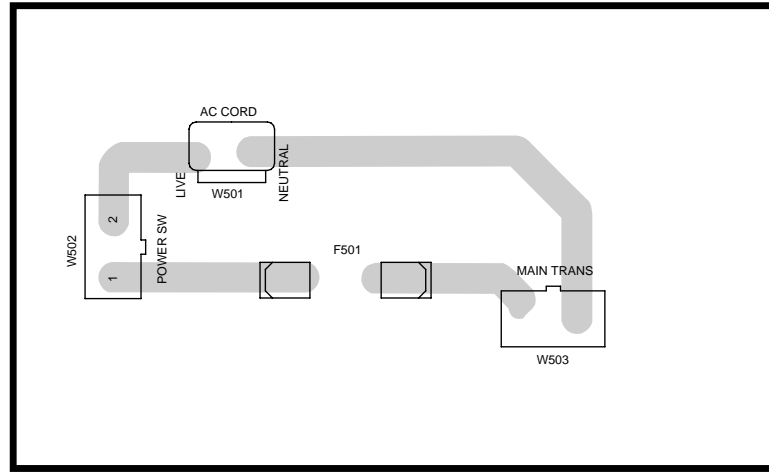


PC BOARD(Component side view)

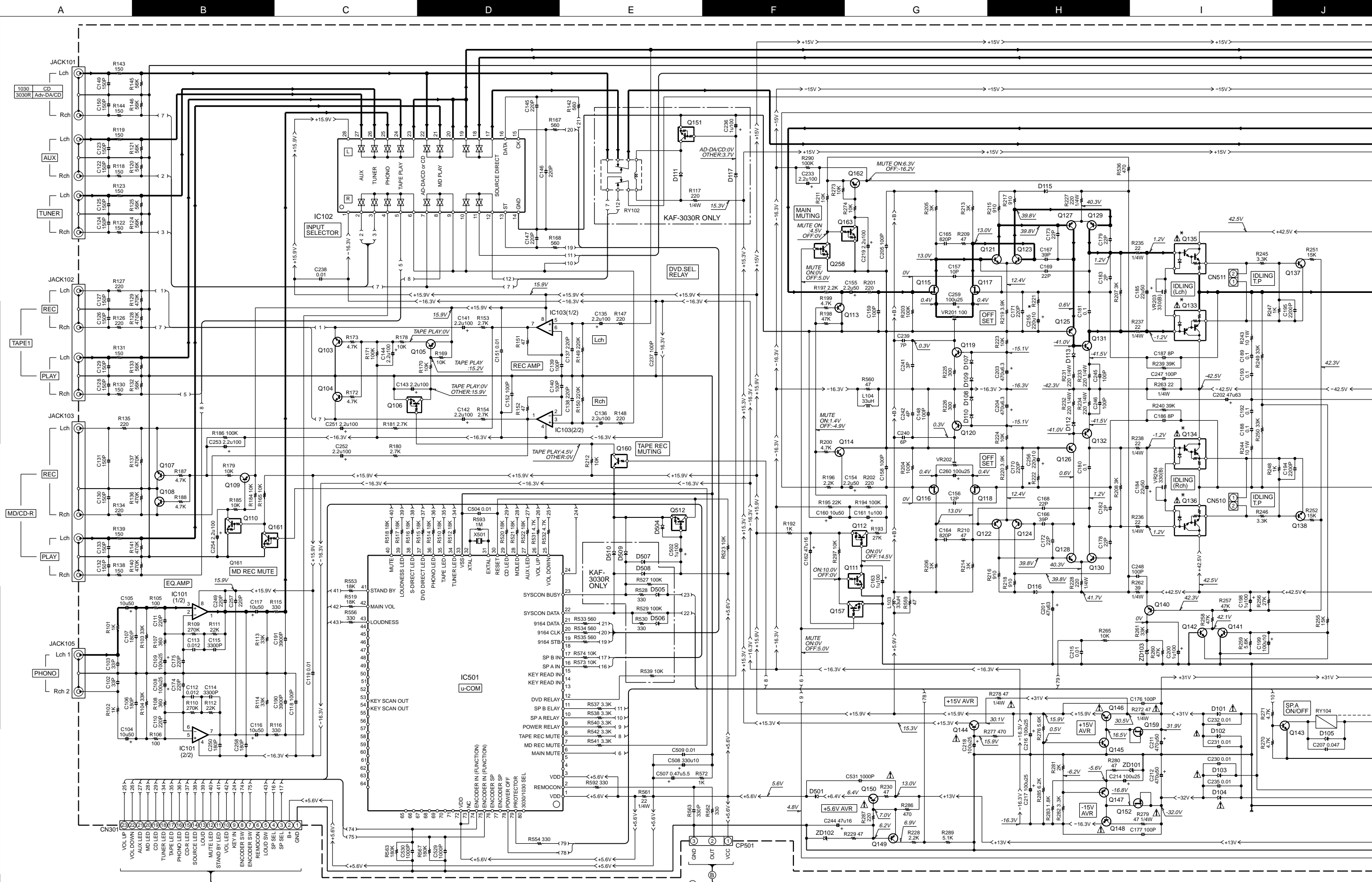


Refer to the schematic diagram for the value of resistors and capacitors.

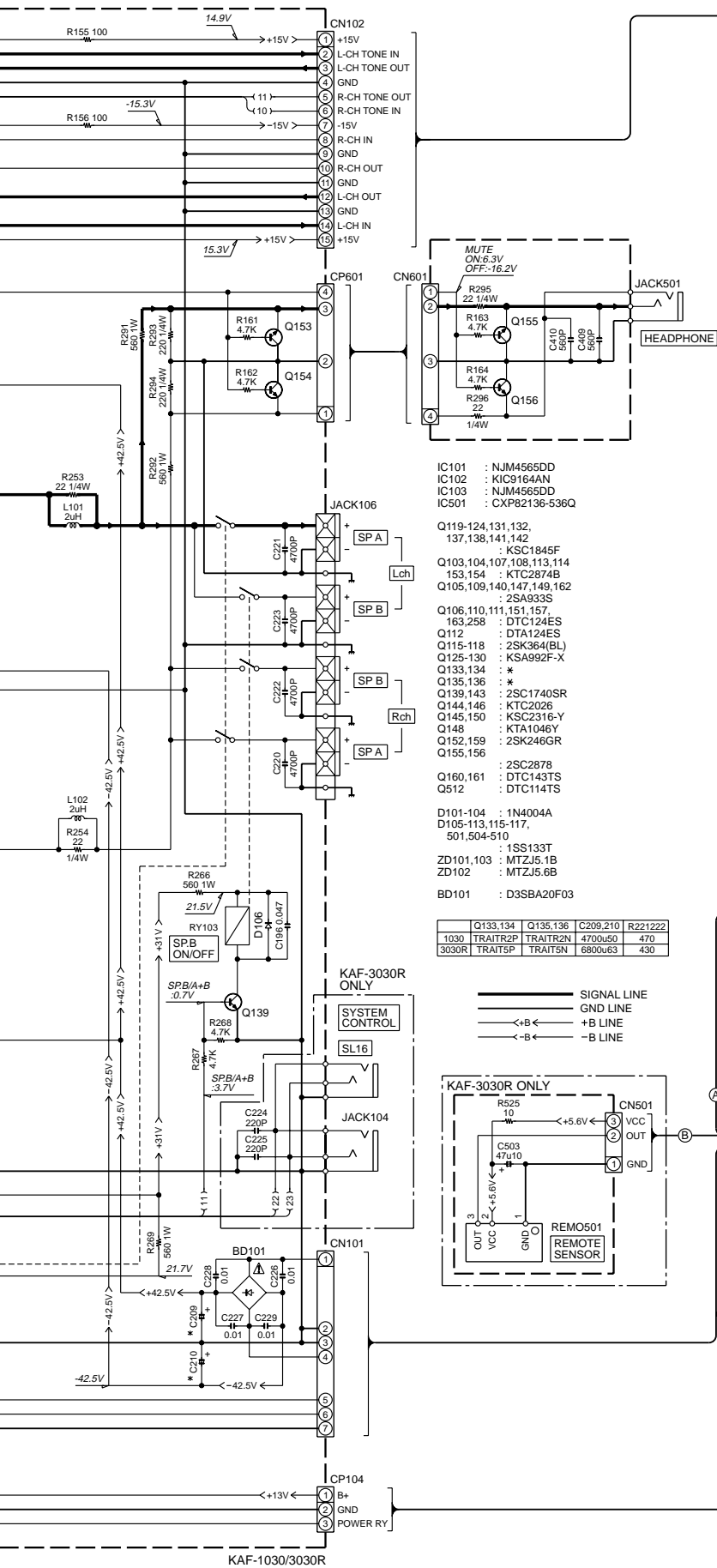
PC BOARD(Component side view)



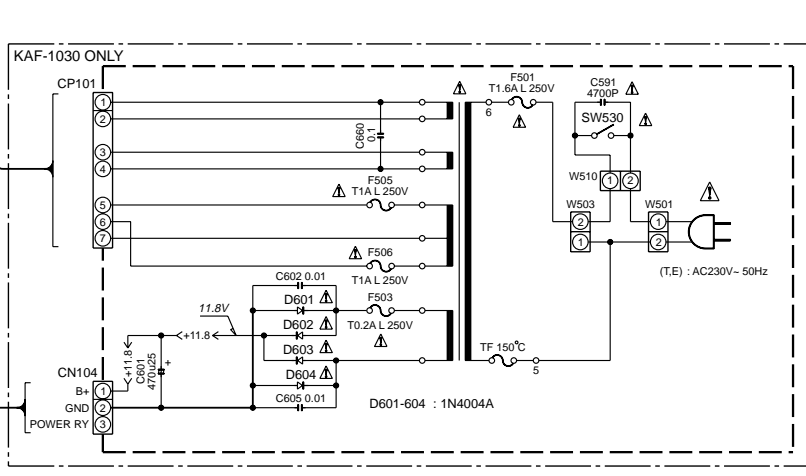
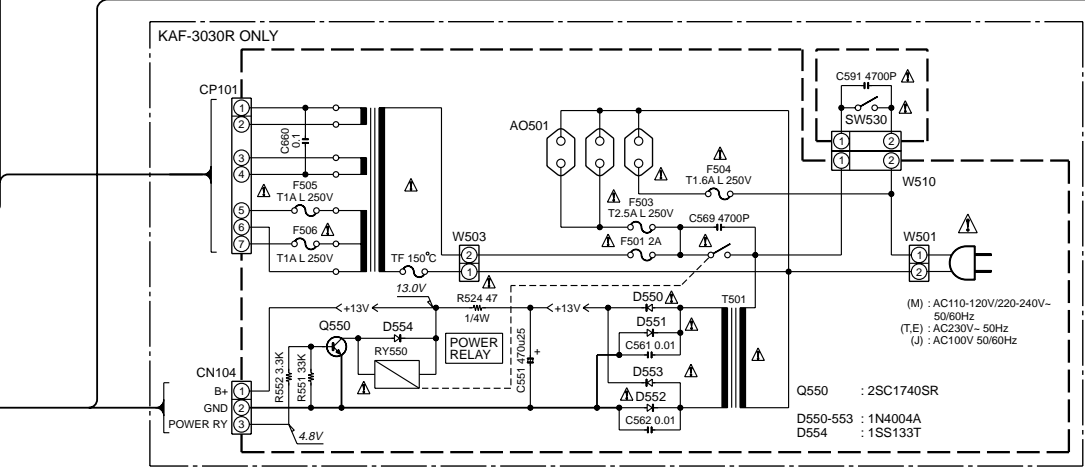
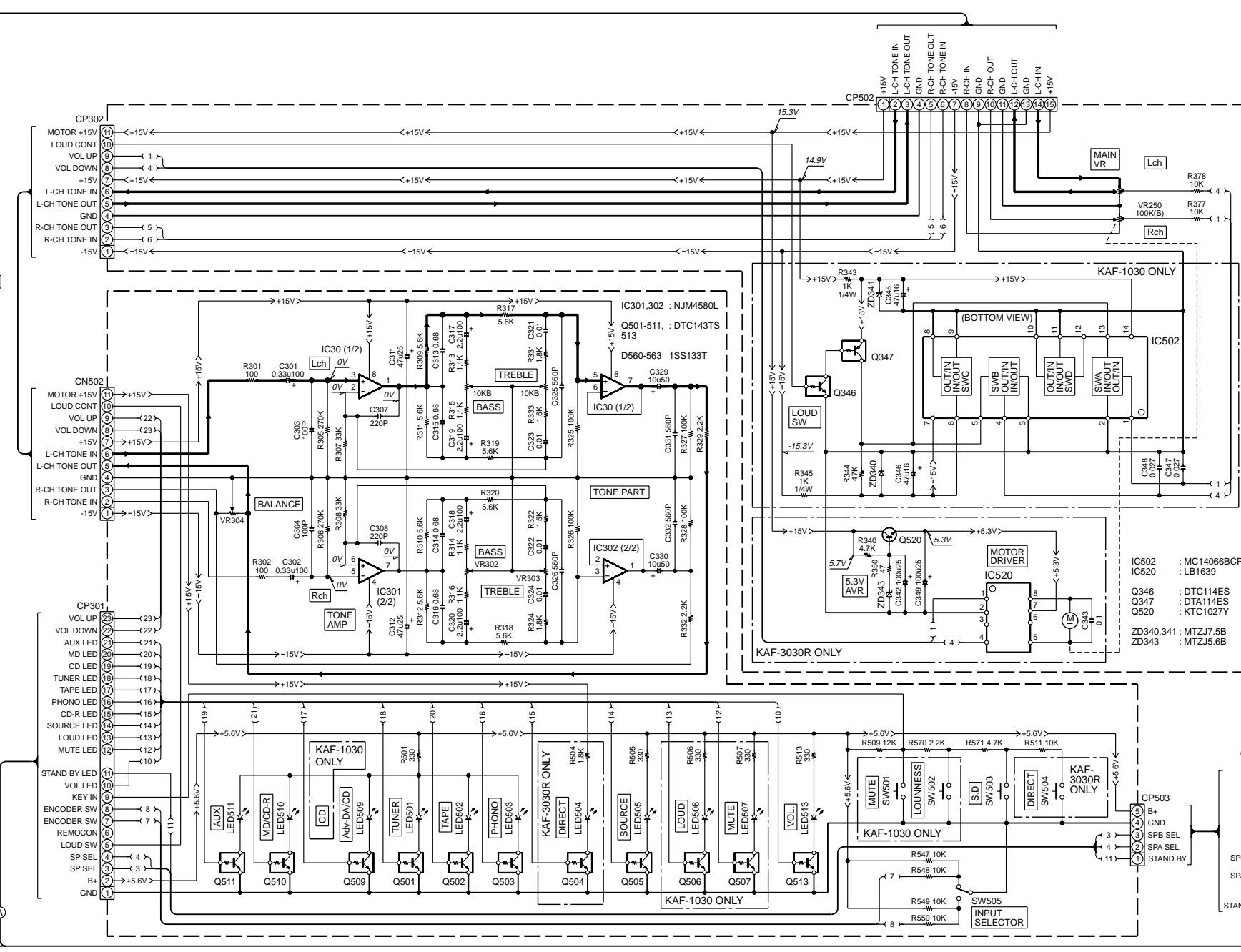
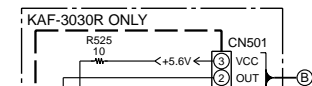
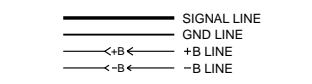
Refer to the schematic diagram for the value of resistors and capacitors.



- DTA114ES 2SA933S
 DTA124ES 2SC1740SR
 DTC114ES
 DTC114TS
 DTC124ES
 DTC143TS
- TRAIT5N
 TRAIT5P
- 2SC2878
- MC1406BCP
- NJM4580L
- 2SK364

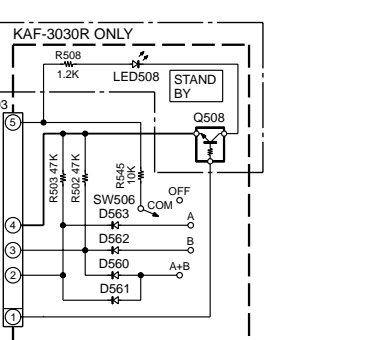


- IC101 : NJM4565DD
 IC102 : KIC9164AN
 IC103 : NJM4565DD
 IC501 : CXP82136-536Q
- Q119,124,131,132, 137,138,141,142 : KSC1845F
 Q103,104,107,108,113,114, 153,154 : KTC2874B
 Q105,109,140,147,149,162 : 2SA933S
 Q106,110,111,151,157, 163,258 : DTA124ES
 Q112 : DTA124ES
 Q115-118 : 2SK364(BL)
 Q125-130 : KSA992F-X
 Q133,134 : *
 Q135,136 : *
 Q139,143 : 2SC1740SR
 Q144,146 : KTC2026
 Q145,150 : KSC2316-Y
 Q148 : KTA1046Y
 Q152,159 : 2SK246GR
 Q155,156 : *
 Q160,161 : DTC143TS
 Q512 : DTC114TS
- D101-104 : 1N4004A
 D105-113,115-117, 501,504-510 : *
 ZD101,103 : MTZJ5.1B
 ZD102 : MTZJ5.6B
 BD101 : D3SBA20F03
- | | | | |
|----------------|----------|----------|----------|
| Q133,134 | Q135,136 | C209,210 | R221,222 |
| 1030 TRAITR2P | TRAITR2N | 4700u50 | 470 |
| 3030R TRAITR5P | TRAITR5N | 6800u63 | 430 |



CAUTION: For continued safety, replace safety critical components only with manufacturer's recommended parts (refer to parts list). Δ indicates safety critical components. For continued protection against risk of fire, replace only with same type and rating fuse(s). To reduce the risk of electric shock, leakage-current or resistance measurements shall be carried out (exposed parts are acceptably insulated from the supply circuit) before the appliance is returned to the customer.

The DC voltage is an actual reading measured with a high impedance type voltmeter with no signal input. The measurement value may vary depending on the measuring instruments used or on the product.

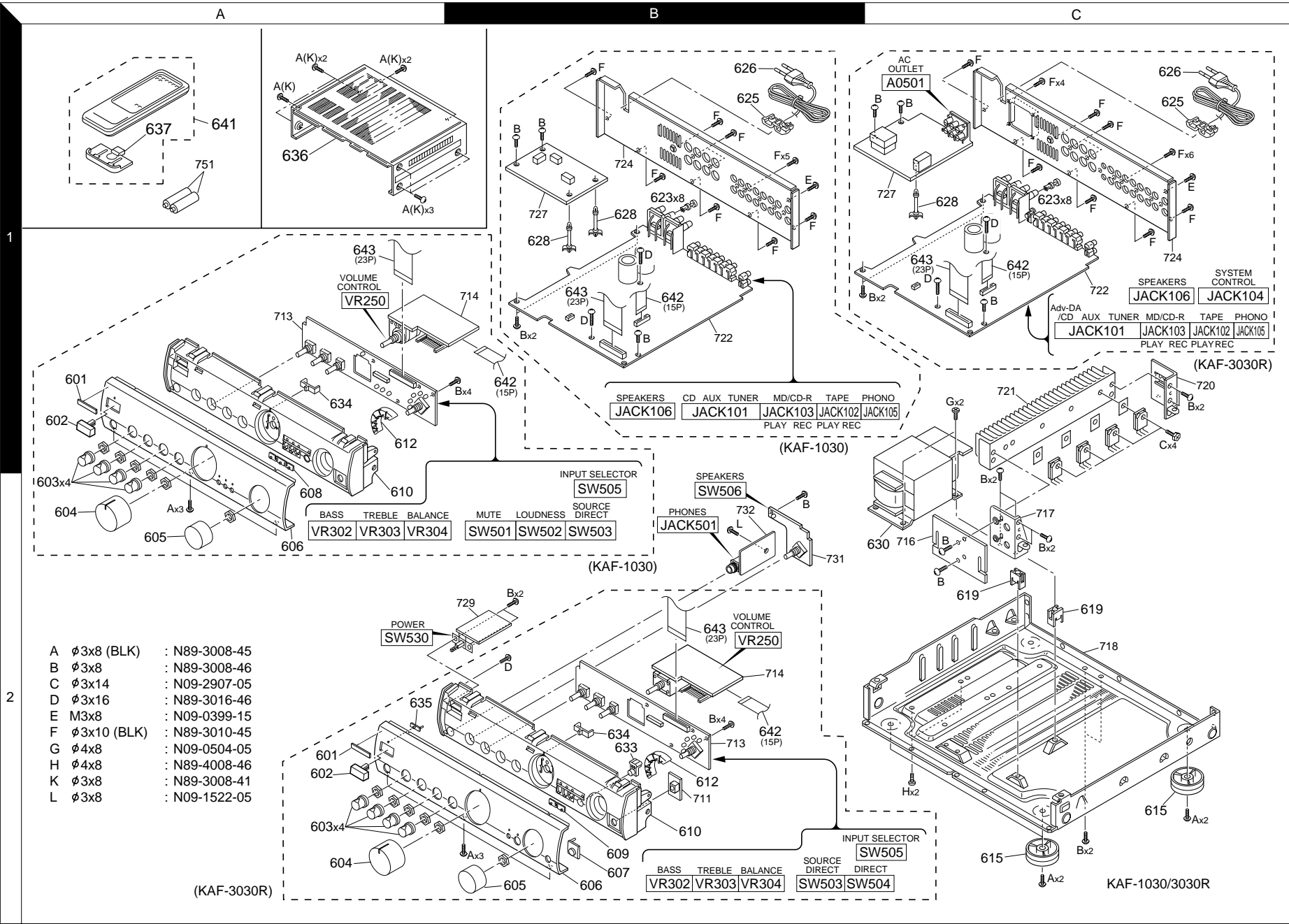


KAF-1030/3030R

Y08-5772-70

KENWOOD

Parts with exploded numbers larger than 700 are not supplied.



- 2
- A ϕ 3x8 (BLK) : N89-3008-45
 - B ϕ 3x8 : N89-3008-46
 - C ϕ 3x14 : N09-2907-05
 - D ϕ 3x16 : N89-3016-46
 - E M3x8 : N09-0399-15
 - F ϕ 3x10 (BLK) : N89-3010-45
 - G ϕ 4x8 : N09-0504-05
 - H ϕ 4x8 : N89-4008-46
 - K ϕ 3x8 : N89-3008-41
 - L ϕ 3x8 : N09-1522-05

(KAF-3030R)

KAF-1030/3030R

EXPLODED VIEW (UNIT)

KAF-1030/3030R

* New Parts
Parts without **Parts No.** are not supplied.
Les articles non mentionnés dans le **Parts No.** ne sont pas fournis.
Teile ohne **Parts No.** werden nicht geliefert.

①

| Ref. No | Add-ress | New Parts | Parts No. | Description | Desti-nation | Re-marks |
|-------------------------------|----------|-----------|-------------|-------------------|---------------|----------|
| KAF-1030/3030R/3030R-S | | | | | | |
| 601 | 1A,2A | * | B43-0302-04 | BADGE | 5630000611010 | |
| 602 | 1A,2A | * | K29-7862-08 | BUTTON,POWER | 5090210621000 | |
| 602 | 1A,2A | * | K29-7863-08 | BUTTON,POWER | 5097210621100 | 3 |
| 603 | 2A | * | K29-7860-08 | KNOB,CON | 5087210271000 | |
| 603 | 2A | * | K29-7861-08 | KNOB,CON | 5087210271100 | 3 |
| 604 | 2A | * | K29-7855-08 | KNOB,VOL | 5087210241000 | 1 |
| 604 | 2A | * | K29-7856-08 | KNOB,VOL | 5087210251000 | 3 |
| 604 | 2A | * | K29-7857-08 | KNOB,VOL | 5087210251100 | 3 |
| 605 | 2A,2B | * | K29-7858-08 | KNOB,FUN | 5087210261000 | |
| 605 | 2B | * | K29-7859-08 | KNOB,FUN | 5087210261100 | 3 |
| 606 | 2A | * | A60-1895-08 | PANEL | 3067210298000 | 1 |
| 606 | 2B | * | A60-1896-08 | PANEL | 3067210298100 | 3 |
| 606 | 2B | * | A60-1897-08 | PANEL | 3067210298110 | 3 |
| 607 | 2B | * | B11-1517-08 | WINDOW,REMOCON | 5070210323000 | 3 |
| 608 | 2A | * | B19-1624-08 | LENS,LOUD | 3710210103000 | 1 |
| 609 | 2B | * | B19-1626-08 | LENS,DIRECT | 3710210123000 | 3 |
| 610 | 2A | * | A22-1847-08 | FRAME | 3210210081000 | 1 |
| 610 | 2B | * | A22-1848-08 | FRAME | 3210210081200 | 3 |
| 610 | 2B | * | A22-1849-08 | FRAME | 3217210081100 | 3 |
| 612 | 1A,2B | * | B19-1625-08 | LENS,FUN | 3710210113000 | |
| 615 | 2C | * | J02-1404-13 | FOOT ASSY | 4008000601030 | |
| 619 | 2C | * | J19-5725-08 | SUPPORTERX2 | 4070001601010 | |
| 623 | 1B,1C | * | N29-0035-05 | RIVET,SPKR | 1560000112010 | |
| 625 | 1B,1C | * | J42-0083-05 | STOPPER,AC CORD | 4380210002000 | |
| 626 | 1B,1C | * | E30-2718-05 | CORD AC | L061040011010 | EES |
| 626 | 1B,1C | * | E30-2892-08 | CORD AC | L061000290010 | TTS |
| 628 | 1B,1C | * | J19-6124-08 | SUPPORTER,PCB | 4070020113010 | |
| 630 | 2C | * | L07-2901-08 | POWER TRANS | 8200740630010 | 1 |
| 630 | 2C | * | L07-2902-08 | POWER TRANS | 8200760800010 | 3 |
| 633 | 2B | * | K29-7864-08 | BUTTON,DIRECT | 5090210651000 | 3 |
| 633 | 2B | * | K29-7865-08 | BUTTON,DIRECT | 5097210651100 | 3 |
| 634 | 1A,2B | * | B19-1622-08 | LENS,VOL | 3710210083000 | |
| 635 | 2A | * | B19-1623-08 | LENS,POWER | 3710210093000 | 3 |
| 636 | 1A | * | A01-3781-08 | CABINET | 3000210116000 | ET |
| 636 | 1A | * | A01-3782-08 | CABINET | 3007210116100 | 3 |
| 637 | 1A | * | A09-0170-08 | BATTERY COVER | | 3 |
| 641 | 1A | * | A70-1429-08 | REMOCON(RC-A0301) | 8300000320020 | 3 |
| 642 | 1B,1C | * | E35-2687-08 | CABLE,FLAT,15P | L301151150010 | |
| 643 | 1A,1B | * | E35-2688-08 | CABLE,FLAT,23P | L301181230010 | |
| - | | * | B46-0310-03 | WARRANTY CARD | 5720001980101 | ET |
| - | | * | B46-0350-00 | QUESTIONAIRE | 5777011230010 | TTS |
| - | | * | B60-4527-08 | INST MANUAL(EN) | 5707210350040 | TTS |
| - | | * | B60-4528-08 | INST MANUAL(ES) | 5707210350010 | EES |
| - | | * | B60-4529-08 | INST MANUAL(FR) | 5707210350020 | EES |
| - | | * | B60-4530-08 | INST MANUAL(GE) | 5707210350050 | EES |
| - | | * | B60-4531-08 | INST MANUAL(IT) | 5707210350060 | EES |
| - | | * | B60-4532-08 | INST MANUAL(NE) | 5707210350070 | EES |
| - | | * | G13-2505-08 | CUSHION SNOW | 6230210174000 | |
| - | | * | H25-1573-08 | POLY BAG,SET | 6337000409030 | |
| - | | * | H25-1601-08 | POLY BAG | 6337000240010 | EES |
| - | | * | H50-3620-08 | BOX GIFT | 6007210170000 | ET |
| - | | * | H50-3622-08 | BOX GIFT | 6007210170020 | 3 |
| - | | * | H50-3623-08 | BOX GIFT | 6007210170010 | 3 |

L : Scandinavia K : USA P : Canada R : Mexico C : China I : Malaysia 1 : KAF-1030
Y : PX(Far East,Hawaii) T : England E : Europe G : Germany V : China(Shanghai) S : SILVER 3 : KAF-3030R
Y : AAFES(Europe) X : Australia Q : Russia H : Korea M : Other Areas Δ indicates safety critical components.

* New Parts
Parts without **Parts No.** are not supplied.
Les articles non mentionnés dans le **Parts No.** ne sont pas fournis.
Teile ohne **Parts No.** werden nicht geliefert.

②

| Ref. No | Add-ress | New Parts | Parts No. | Description | Desti-nation | Re-marks |
|-------------------------|----------|-----------|---------------|-------------|---------------|----------|
| ELECTRICAL PARTS | | | | | | |
| LED501-3 | | * | B30-2545-05 | LED,P15-RD | K500052016010 | |
| LED504 | | * | B30-2551-05 | LED,BLUE | K500036000010 | 3 |
| LED505 | | * | B30-2545-05 | LED,P15-RD | K500052016010 | |
| LED506,7 | | * | B30-2545-05 | LED,P15-RD | K500052016010 | 1 |
| LED508 | | * | B30-2545-05 | LED,P15-RD | K500052016010 | 3 |
| LED509-11 | | * | B30-2524-05 | LED,P15-RD | K500052016010 | |
| LED513 | | * | B30-2524-05 | LED,P15-RD | K500052016010 | |
| C102,103 | | | CC45FSL1H330J | CERAMIC | 33PF | J |
| C104,105 | | | CE04KW1H100M | ELECTRO | 10UF | 50WV |
| C106,107 | | | CC45FSL1H181J | CERAMIC | 180PF | J |
| C108,109 | | | CE04KW1E101M | ELECTRO | 100UF | 25WV |
| C110,111 | | | CC45FSL1H221J | CERAMIC | 220PF | J |
| C112,113 | | | CQ92FM1H123J | MYLAR | 0.012UF | J |
| C114,115 | | | CQ92FM1H332J | MYLAR | 3300PF | J |
| C116,117 | | | CE04KW1H100M | ELECTRO | 10UF | 50WV |
| C118 | | | CC45FSL1H101J | CERAMIC | 100PF | J |
| C119 | | | CK45FB1H103K | CERAMIC | 0.010UF | K |
| C122-133 | | | CC45FSL1H151J | CERAMIC | 150PF | J |
| C135,136 | | | CE04KW2A2R2M | ELECTRO | 2.2UF | 100WV |
| C137,138 | | | CC45FSL1H221J | CERAMIC | 220PF | J |
| C139,140 | | | CC45FSL1H101J | CERAMIC | 100PF | J |
| C141-144 | | | CE04KW2A2R2M | ELECTRO | 2.2UF | 100WV |
| C145-147 | | | CC45FSL1H221J | CERAMIC | 220PF | J |
| C148 | | | CC45FSL1H101J | CERAMIC | 100PF | J |
| C149,150 | | | CC45FSL1H151J | CERAMIC | 150PF | J |
| C151 | | | CK45FB1H103K | CERAMIC | 0.010UF | K |
| C152 | | | CC45FSL1H101J | CERAMIC | 100PF | J |
| C154,155 | | | CE04KW1H2R2M | ELECTRO | 2.2UF | 50WV |
| C156 | | | CC45FSL1H120J | CERAMIC | 12PF | J |
| C157 | | | CC45FSL1H100D | CERAMIC | 10PF | D |
| C158,159 | | | CC45FSL1H101J | CERAMIC | 100PF | J |
| C160 | | | CE04KW1H100M | ELECTRO | 10UF | 50WV |
| C161 | | | CE04KW2A010M | ELECTRO | 1.0UF | 100WV |
| C162 | | | CE04KW1C470M | ELECTRO | 47UF | 16WV |
| C163 | | | CE04KW2A010M | ELECTRO | 1.0UF | 100WV |
| C164,165 | | | CK45FB1H821K | CERAMIC | 820PF | K |
| C166,167 | | | CC45FSL1H390J | CERAMIC | 39PF | J |
| C168,169 | | | CC45FSL1H220J | CERAMIC | 22PF | J |
| C170,171 | | | CC45FSL1H221J | CERAMIC | 220PF | J |
| C172,173 | | | CC45FSL1H220J | CERAMIC | 22PF | J |
| C174,175 | | | CC45FSL1H221J | CERAMIC | 220PF | J |
| C176,177 | | | CC45FSL1H101J | CERAMIC | 100PF | J |
| C178,179 | | | CC45FSL1H220J | CERAMIC | 22PF | J |
| C180,181 | | | CK45FB1H104Z | CERAMIC | 0.10UF | Z |
| C182,183 | | | CC45FSL1H020C | CERAMIC | 2.0PF | C |
| C184,185 | | | CE04KW1H220M | ELECTRO | 22UF | 50WV |
| C186,187 | | | CC45FSL1H080D | CERAMIC | 8.0PF | D |
| C188,189 | | | CQ92FM1H104J | MYLAR | 0.10UF | J |
| C190,191 | | | CQ92FM1H392J | MYLAR | 3900PF | J |
| C192,193 | | | CQ92FM1H104J | MYLAR | 0.10UF | J |
| C194,195 | | | CK45FB1H222Z | CERAMIC | 2200PF | Z |
| C196 | | | CQ92FM1H473J | MYLAR | 0.047UF | J |

L : Scandinavia K : USA P : Canada R : Mexico C : China I : Malaysia 1 : KAF-1030
Y : PX(Far East,Hawaii) T : England E : Europe G : Germany V : China(Shanghai) S : SILVER 3 : KAF-3030R
Y : AAFES(Europe) X : Australia Q : Russia H : Korea M : Other Areas Δ indicates safety critical components.

* New Parts

Parts without **Parts No.** are not supplied.
Les articles non mentionnés dans le **Parts No.** ne sont pas fournis.
Teile ohne **Parts No.** werden nicht geliefert.

3

| Ref. No | Add-ress | New Parts | Parts No. | Description | Desti-nation | Re-marks |
|----------|----------|-----------|---------------|----------------------|--------------|----------|
| C198 | | | CE04KW2A010M | ELECTRO 1.0UF 100WV | | |
| C199 | | | CE04KW1A101M | ELECTRO 100UF 10WV | | |
| C200 | | | CE04KW2A010M | ELECTRO 1.0UF 100WV | | |
| C201,202 | | | CE04KW1J470M | ELECTRO 47UF 63WV | | |
| C203,204 | | | CE04KW0J471M | ELECTRO 470UF 6.3WV | | |
| C205 | | | CC45FSL1H101J | CERAMIC 100PF J | | |
| C207 | | | CQ92FM1H473J | MYLAR 0.047UF J | | |
| C209,210 | | * | C90-3939-08 | ELECTRO 4700UF 50WV | | 1 |
| C209,210 | | * | C90-3940-08 | ELECTRO 6800UF 63WV | | 3 |
| C211,212 | | | CE04KW1H471M | ELECTRO 470UF 50WV | | |
| C214 | | | CE04KW1E101M | ELECTRO 100UF 25WV | | |
| C215 | | | CK45FB1H103K | CERAMIC 0.010UF K | | |
| C216,217 | | | CE04KW1E101M | ELECTRO 100UF 25WV | | |
| C218 | | | CE04KW1E101M | ELECTRO 100UF 25WV | | |
| C219 | | | CE04KW2A2R2M | ELECTRO 2.2UF 100WV | | |
| C220-223 | | | CQ92FM1H472J | MYLAR 4700PF J | | |
| C224,225 | | | CC45FSL1H221J | CERAMIC 220PF J | | 3 |
| C226-232 | | | CK45FB2H103Z | CERAMIC 0.010UF Z | | |
| C233 | | | CE04KW2A2R2M | ELECTRO 2.2UF 100WV | | |
| C235 | | | CK45FB2H103Z | CERAMIC 0.010UF Z | | |
| C236 | | | CE04KW2A010M | ELECTRO 1.0UF 100WV | | 3 |
| C237 | | | CC45FSL1H101J | CERAMIC 100PF J | | |
| C238 | | | CK45FB1H103K | CERAMIC 0.010UF K | | |
| C239 | | | CC45FSL1H070C | CERAMIC 7.0PF C | | |
| C240 | | | CC45FSL1H060D | CERAMIC 6.0PF D | | |
| C241 | | | CC45FSL1H030C | CERAMIC 3.0PF C | | |
| C242 | | | CC45FCH1H040C | CERAMIC 4.0PF C | | |
| C244 | | | CE04KW1C470M | ELECTRO 47UF 16WV | | |
| C245-248 | | | CC45FSL1H101J | CERAMIC 100PF J | | |
| C249 | | | CC45FSL1H221J | CERAMIC 220PF J | | |
| C250 | | | CC45FSL1H181J | CERAMIC 180PF J | | |
| C251-254 | | | CE04KW2A2R2M | ELECTRO 2.2UF 100WV | | |
| C255,256 | | | CE04KW1A221M | ELECTRO 220UF 10WV | | |
| C257 | | | CC45FSL1H221J | CERAMIC 220PF J | | |
| C258 | | | CC45FSL1H181J | CERAMIC 180PF J | | |
| C259,260 | | | CE04KW1E101M | ELECTRO 100UF 25WV | | |
| C301,302 | | | CE04KW2AR33M | ELECTRO 0.33UF 100WV | | |
| C303,304 | | | CC45FSL1H101J | CERAMIC 100PF J | | |
| C307,308 | | | CC45FCH1H221J | CERAMIC 220PF J | | |
| C311,312 | | | CE04KW1E470M | ELECTRO 47UF 25WV | | |
| C313-316 | | | CQ92FM1H684J | MYLAR 0.68UF J | | |
| C317-320 | | | CE04KW2A2R2M | ELECTRO 2.2UF 100WV | | |
| C321-324 | | | CQ92FM1H103J | MYLAR 0.010UF J | | |
| C325,326 | | | CK45FB1H561J | CERAMIC 560PF J | | |
| C329,330 | | | CE04KW1H100M | ELECTRO 10UF 50WV | | |
| C331,332 | | | CK45FB1H561J | CERAMIC 560PF J | | |
| C342 | | | CE04KW1E101M | ELECTRO 100UF 25WV | | 3 |
| C343 | | | CK45FB1H104Z | CERAMIC 0.10UF Z | | 3 |
| C345,346 | | | CE04KW1C470M | ELECTRO 47UF 16WV | | 1 |
| C347,348 | | | CQ92FM1H273J | MYLAR 0.027UF J | | 1 |
| C349 | | | CE04KW1E101M | ELECTRO 100UF 25WV | | 3 |
| C409,410 | | | CK45FB1H561J | CERAMIC 560PF J | | |
| C502 | | | CE04KW2A010M | ELECTRO 1.0UF 100WV | | |
| C503 | | | CE04KW1A470M | ELECTRO 47UF 10WV | | 3 |
| C504 | | | CK45FB1H103K | CERAMIC 0.010UF K | | |

L : Scandinavia K : USA P : Canada R : Mexico C : China I : Malaysia 1 : KAF-1030
Y : PX(Far East,Hawaii) T : England E : Europe G : Germany V : China(Shanghai) S : SILVER 3 : KAF-3030R
Y : AAFES(Europe) X : Australia Q : Russia H : Korea M : Other Areas Δ indicates safety critical components.

* New Parts

Parts without **Parts No.** are not supplied.
Les articles non mentionnés dans le **Parts No.** ne sont pas fournis.
Teile ohne **Parts No.** werden nicht geliefert.

4

| Ref. No | Add-ress | New Parts | Parts No. | Description | Desti-nation | Re-marks |
|-------------|----------|-----------|---------------|------------------------------|--------------|----------|
| C507 | | | C90-3741-08 | BACKUP C 0.047F 5.5WV | | |
| C508 | | | CE04KW1A331M | ELECTRO 330UF 10WV | | |
| C509 | | | CQ92FM1H103J | MYLAR 0.010UF J | | |
| C529,530 | | | CK45FB1H102Z | CERAMIC 1000PF Z | | |
| C531 | | | CQ92FM1H102J | MYLAR 1000PF J | | |
| C551 | | | CE04KW1E471M | ELECTRO 470UF 25WV | | 3 |
| C561,562 | | | CK45FB2H103Z | CERAMIC 0.010UF Z | | 3 |
| C563 | | | CC45FSL1H331J | CERAMIC 330PF J | | |
| C569 | | * | C91-1571-08 | CERAMIC 0.0047UF 250VAC | | 3 |
| C591 | | * | C91-1571-08 | CERAMIC 0.0047UF 250VAC | | |
| C601 | | | CE04KW1E471M | ELECTRO 470UF 25WV | | 1 |
| C602 | | | CK45FB2H103Z | CERAMIC 0.010UF Z | | 1 |
| C605 | | | CK45FB2H103Z | CERAMIC 0.010UF Z | | 1 |
| C660 | | | CK45FB1E104Z | CERAMIC 0.10UF Z | | |
| AO501 | | | E03-0322-08 | SOCKET,POWER G435000150000 | TTS | 3 |
| AO501 | | | E03-0338-08 | SOCKET,POWER G435000160020 | EES | 3 |
| CN102 | | * | E40-8703-08 | CN,FPC,15P L131520451545 | | |
| CN301 | | * | E40-8704-08 | CN,FPC,23P L131520452345 | | |
| CP301 | | * | E40-8702-08 | CN,FPC,23P L131520442345 | | |
| CP502 | | * | E40-8701-08 | CN,FPC,15P L131520441545 | | |
| JACK101 | | * | E63-0187-08 | RCA,6P G603060046020 | | 1 |
| JACK101 | | * | E63-1165-08 | RCA,6P G603060046070 | | 3 |
| JACK102,103 | | | E63-0186-08 | RCA,4P G602040045000 | | |
| JACK104 | | | E11-0333-08 | JACK,D3.5 G401496000010 | | 3 |
| JACK105 | | | E63-0189-08 | RCA,2P G601020044000 | | |
| JACK106 | | | E70-0104-08 | BOARD SCREW,8P G61408103600A | | |
| JACK501 | | | E11-0263-08 | JACK,D6.5 G402038400040 | | |
| F501 | | | F05-1623-05 | FUSE,1.6A G650162251160 | | 1 |
| F501 | | | F06-2021-05 | FUSE,2A G650202251160 | | 3 |
| F503 | | | F05-2015-05 | FUSE,0.2A G650201251160 | | 1 |
| F503 | | | F05-2525-05 | FUSE,2.5A G650252251160 | | 3 |
| F504 | | | F05-1623-05 | FUSE,1.6A G650162251160 | | 3 |
| F505,506 | | | F06-1022-05 | FUSE,1A G650102251160 | | |
| L101,102 | | | L39-1374-08 | COIL,2UH D310030000010 | | |
| L103,104 | | | L40-3301-17 | COIL,33UH D330330700520 | | |
| T501 | | | L07-1987-08 | POWER TRANS 8200280004000 | | 3 |
| X501 | | | L78-0294-05 | RESONATOR E830100000050 | | |
| R117 | | | RN14BK2E2200F | RN 220 F 1/4W | | 3 |
| R227,228 | | | RN14BK2E2200F | RN 220 F 1/4W | | |
| R230 | | | RD14BB2C470J | RD 47 J 1/6W | | |
| R231-234 | | | RN14BK2E2200F | RN 220 F 1/4W | | |
| R235-238 | | | RN14BK2E22R0F | RN 22 F 1/4W | | |
| R243,244 | | | RS14GB3A100J | FL-PROOF RS 10 J 1W | | |
| R262 | | | RN14BK2E39R0F | RN 39 F 1/4W | | |
| R263 | | | RN14BK2E22R0F | RN 22 F 1/4W | | |
| R266 | | | RS14GB3A561J | FL-PROOF RS 560 J 1W | | |
| R269 | | | RS14GB3A561J | FL-PROOF RS 560 J 1W | | |
| R272 | | | RN14BK2E47R0F | RN 47 F 1/4W | | |
| R278 | | | RN14BK2E47R0F | RN 47 F 1/4W | | |
| R279 | | | RN14BK2E47R0F | RN 47 F 1/4W | | |
| R291,292 | | | RS14GB3A561J | FL-PROOF RS 560 J 1W | | |
| R293,294 | | | RN14BK2E2200F | RN 220 F 1/4W | | |
| R295,296 | | | RN14BK2E22R0F | RN 22 F 1/4W | | |
| R343 | | | RN14BK2E1001F | RN 1.00K F 1/4W | | 1 |

L : Scandinavia K : USA P : Canada R : Mexico C : China I : Malaysia 1 : KAF-1030
Y : PX(Far East,Hawaii) T : England E : Europe G : Germany V : China(Shanghai) S : SILVER 3 : KAF-3030R
Y : AAFES(Europe) X : Australia Q : Russia H : Korea M : Other Areas Δ indicates safety critical components.

PARTS LIST KAF-1030/3030R

* New Parts
Parts without **Parts No.** are not supplied.
Les articles non mentionnés dans le **Parts No.** ne sont pas fournis.
Teile ohne **Parts No.** werden nicht geliefert.

5

| Ref. No | Add-ress | New Parts | Parts No. | Description | Desti-nation | Re-marks |
|-----------|----------|-----------|---------------|--------------------------|--------------|----------|
| R345 | | | RN14BK2E1001F | RN 1.00K F 1/4W | | 1 |
| R524 | | | RN14BK2E47R0F | RN 47 F 1/4W | | 3 |
| VR201,202 | | | R12-0604-05 | VR,SEMI C544101015100 | | |
| VR203,204 | | | R12-0606-05 | VR,SEMI C544331015010 | | |
| VR250 | | * | R39-0029-08 | VR,ROTARY C455121405100 | | 1 |
| VR250 | | * | R39-0030-08 | VR,ROTARY C495121400260 | | 3 |
| VR302,303 | | * | R39-0028-08 | VR,ROTARY C454121300400 | | |
| VR304 | | * | R39-0027-08 | VR,ROTARY C452112400150 | | |
| RY102 | | * | S76-0113-08 | RELAY G680000250010 | | 3 |
| RY103,104 | | | S76-0076-05 | RELAY G680242000000 | | |
| RY550 | | | S76-0090-05 | RELAY G680090502010 | | 3 |
| SW501,502 | | | S70-0044-08 | SW,TACT G180215050010 | | 1 |
| SW503 | | | S70-0044-08 | SW,TACT G180215050010 | | |
| SW504 | | | S70-0044-08 | SW,TACT G180215050010 | | 3 |
| SW505 | | | T99-0643-08 | SW,ENCODER G121161220010 | | |
| SW506 | | * | S60-0038-08 | SW,ROTARY G120141200010 | | |
| SW530 | | * | S68-0131-08 | SW,PUSH G000122006030 | | |
| BD101 | | * | D3SBA20F03 | DIODE,5A | | |
| D101-104 | | | 1N4004A | DIODE | | |
| D105-110 | | | 1SS133T | DIODE | | 3 |
| D111 | | | 1SS133T | DIODE | | |
| D112,113 | | | 1SS133T | DIODE | | |
| D115,116 | | | 1SS133T | DIODE | | 3 |
| D117 | | | 1SS133T | DIODE | | |
| D501 | | | 1SS133T | DIODE | | 3 |
| D504 | | | 1SS133T | DIODE | | |
| D505-510 | | | 1SS133T | DIODE | | 3 |
| D550-553 | | | 1N4004A | DIODE | | 3 |
| D554 | | | 1SS133T | DIODE | | 3 |
| D560-563 | | | 1SS133T | DIODE | | |
| D601-604 | | | 1N4004A | DIODE | | 1 |
| IC101 | | | NJM4565DD | IC | | |
| IC102 | | | KIC9164AN | IC | | |
| IC103 | | | NJM4565DD | IC | | |
| IC301,302 | | | NJM4580L | IC(OP AMP X2) | | |
| IC501 | | * | CXP82316-536Q | IC | | |
| IC502 | | | MC14066BCP | IC(BILATERAL SWITCH X4) | | 1 |
| IC520 | | * | LB1639 | IC | | 3 |
| Q103,104 | | * | KTC2874B | TRANSISTOR | | |
| Q105 | | | 2SA933S | TRANSISTOR | | |
| Q106 | | | DTC124ES | TRANSISTOR | | |
| Q107,108 | | * | KTC2874B | TRANSISTOR | | |
| Q109 | | | 2SA933S | TRANSISTOR | | |
| Q110,111 | | | DTC124ES | TRANSISTOR | | |
| Q112 | | | DTA124ES | TRANSISTOR | | |
| Q113,114 | | * | KTC2874B | TRANSISTOR | | |
| Q115-118 | | | 2SK364(BL) | FET | | |
| Q119-124 | | | KSC1845F | TRANSISTOR | | |
| Q125-130 | | | KSA992F-X | TRANSISTOR | | |
| Q131,132 | | | KSC1845F | TRANSISTOR | | |
| Q133,134 | | | TRAITR2P | TRANSISTOR J501150000030 | | 1 |
| Q133,134 | | * | TRAIT5P | TRANSISTOR J581050000010 | | 3 |
| Q135,136 | | | TRAITR2N | TRANSISTOR J503150000030 | | 1 |
| Q135,136 | | * | TRAIT5N | TRANSISTOR J583050000010 | | 3 |

L : Scandinavia K : USA P : Canada R : Mexico C : China I : Malaysia 1 : KAF-1030
Y : PX(Far East,Hawaii) T : England E : Europe G : Germany V : China(Shanghai) S : SILVER 3 : KAF-3030R
Y : AAFES(Europe) X : Australia Q : Russia H : Korea M : Other Areas Δ indicates safety critical components .

* New Parts
Parts without **Parts No.** are not supplied.
Les articles non mentionnés dans le **Parts No.** ne sont pas fournis.
Teile ohne **Parts No.** werden nicht geliefert.

6

| Ref. No | Add-ress | New Parts | Parts No. | Description | Desti-nation | Re-marks |
|-----------|----------|-----------|-------------|---------------------------|--------------|----------|
| Q137,138 | | | KSC1845F | TRANSISTOR | | |
| Q139 | | | 2SC1740SR | TRANSISTOR | | |
| Q140 | | | 2SA933S | TRANSISTOR | | |
| Q141,142 | | | KSC1845F | TRANSISTOR | | |
| Q143 | | | 2SC1740SR | TRANSISTOR | | |
| Q144 | | | KTC2026 | TRANSISTOR | | |
| Q145 | | | KSC2316-Y | TRANSISTOR | | |
| Q146 | | | KTC2026 | TRANSISTOR | | |
| Q147 | | | 2SA933S | TRANSISTOR | | |
| Q148 | | * | KTA1046Y | TRANSISTOR | | |
| Q149 | | | 2SA933S | TRANSISTOR | | |
| Q150 | | | KSC2316-Y | TRANSISTOR | | |
| Q151 | | | DTC124ES | TRANSISTOR | | 3 |
| Q152 | | | 2SK246GR | FET | | |
| Q153,154 | | * | KTC2874B | TRANSISTOR | | |
| Q155,156 | | | 2SC2878 | TRANSISTOR | | |
| Q157 | | | DTC124ES | TRANSISTOR | | |
| Q159 | | | 2SK246GR | FET | | |
| Q160,161 | | | DTC143TS | TRANSISTOR | | |
| Q162 | | | 2SA933S | TRANSISTOR | | |
| Q163 | | | DTC124ES | TRANSISTOR | | |
| Q258 | | | DTC124ES | TRANSISTOR | | |
| Q346 | | | DTC114ES | TRANSISTOR | | 1 |
| Q347 | | | DTA114ES | TRANSISTOR | | 1 |
| Q501-503 | | | DTC143TS | TRANSISTOR | | |
| Q504 | | | DTC143TS | TRANSISTOR | | 3 |
| Q505 | | | DTC143TS | TRANSISTOR | | |
| Q506,507 | | | DTC143TS | TRANSISTOR | | 1 |
| Q508 | | | DTC143TS | TRANSISTOR | | 3 |
| Q509-511 | | | DTC143TS | TRANSISTOR | | |
| Q512 | | | DTC114TS | TRANSISTOR | | |
| Q513 | | | DTC143TS | TRANSISTOR | | |
| Q520 | | | KTC1027Y | TRANSISTOR | | 3 |
| Q550 | | | 2SC1740SR | TRANSISTOR | | 3 |
| REMO501 | | * | W02-2765-08 | MODULE,REMO E940000140020 | | 3 |
| ZD101 | | | MTZJ5.1B | ZENER DIODE | | |
| ZD102 | | | MTZJ5.6B | ZENER DIODE | | |
| ZD103 | | | MTZJ5.1B | ZENER DIODE | | |
| ZD340,341 | | | MTZJ7.5B | ZENER DIODE | | 1 |
| ZD343 | | | MTZJ5.6B | ZENER DIODE | | 3 |

L : Scandinavia K : USA P : Canada R : Mexico C : China I : Malaysia 1 : KAF-1030
Y : PX(Far East,Hawaii) T : England E : Europe G : Germany V : China(Shanghai) S : SILVER 3 : KAF-3030R
Y : AAFES(Europe) X : Australia Q : Russia H : Korea M : Other Areas Δ indicates safety critical components .

KAF-1030/3030R PARTS LIST

KAF-1030/3030R

SPECIFICATIONS

KAF-3030R

| | |
|--|------------------------------------|
| Rated output power | |
| (DIN) 1 kHz | |
| at 8 Ω | 50 W + 50 W |
| at 4 Ω | 75 W + 75 W |
| (IEC/DIN) from 63 Hz to 12.5 kHz, 0.7 % T.H.D. | |
| at 8 Ω | 50 W + 50 W |
| at 4 Ω | 75 W + 75 W |
| Effective output power | |
| Except UK and Europe | |
| (EIAJ) 1 kHz, 10 % T.H.D. | |
| at 8 Ω | 60 W + 60 W |
| at 4 Ω | 90 W + 90 W |
| Damping factor | 42 (50 Hz) |
| Total harmonic distortion | |
| | 0.02 % (20 Hz ~ 20 kHz, 25 W, 8 Ω) |
| | 0.002 % (1 kHz, 25 W, 8 Ω) |
| Frequency response (IHF'66) | |
| Adv. DA / CD DIRECT | 5 Hz ~ 100 kHz, +0 dB, -3 dB |
| Adv. DA / CD, MD/CD-R, TUNER, TAPE, AUX | 5 Hz ~ 60 kHz, +0 dB, -3 dB |
| PHONO 'RIAA' response ... | 20 Hz ~ 20 kHz, +1.0 dB, -1.0 dB |
| Maximum input level | |
| PHONO (MM) | 100 mV, 0.5 % T.H.D. at 1 kHz |
| Signal to noise ratio | |
| PHONO (MM) | 72 dB (IHF'66) |
| Adv. DA / CD, MD/CD-R, TUNER, TAPE, AUX | 100 dB (IHF'66) |
| Adv. DA / CD DIRECT | 102 dB (IHF'66) |
| PHONO (MM) | 60 dB (DIN, 50 mW output) |
| Adv. DA / CD, MD/CD-R, TUNER, TAPE, AUX | 60 dB (DIN, 50 mW output) |
| Input sensitivity/impedance | |
| PHONO (MM) | 2.5 mV/33 kΩ |
| Adv. DA / CD, MD/CD-R, TUNER, TAPE, AUX | 200 mV/47 kΩ |
| Tone control | |
| BASS | ±6 dB (at 100 Hz) |
| TREBLE | ±6 dB (at 10 kHz) |
| Output level/impedance | |
| MD/CD-R REC, TAPE REC, | 200 mV/2.7 kΩ |
| General | |
| Power consumption | 150 W |
| AC outlet | |
| SWITCHED | 2 (total 200 W max.) |
| UNSWITCHED | 1 (100 W max.) |
| Dimensions | |
| | W: 440 mm |
| | H: 95 mm |
| | D: 400 mm |
| Weight (net) | 7.8 kg |

KAF-1030

| | |
|--|------------------------------------|
| Rated output power | |
| (DIN) 1 kHz | |
| at 8 Ω | 40 W + 40 W |
| at 4 Ω | 60 W + 60 W |
| (IEC/DIN) from 63 Hz to 12.5 kHz, 0.7 % T.H.D. | |
| at 8 Ω | 40 W + 40 W |
| at 4 Ω | 60 W + 60 W |
| Effective output power | |
| Except UK and Europe | |
| (EIAJ) 1 kHz, 10 % T.H.D. | |
| at 8 Ω | 55 W + 55 W |
| at 4 Ω | 75 W + 75 W |
| Damping factor | 42 (50 Hz) |
| Total harmonic distortion | |
| | 0.02 % (20 Hz ~ 20 kHz, 20 W, 8 Ω) |
| | 0.002 % (1 kHz, 20 W, 8 Ω) |
| Frequency response (IHF'66) | |
| SOURCE DIRECT | 5 Hz ~ 85 kHz, +0 dB, -3 dB |
| CD, MD/CD-R, TUNER, TAPE, AUX | 5 Hz ~ 60 kHz, +0 dB, -3 dB |
| PHONO 'RIAA' response ... | 20 Hz ~ 20 kHz, +1.0 dB, -1.0 dB |
| Maximum input level | |
| PHONO (MM) | 100 mV, 0.5 % T.H.D. at 1 kHz |
| Signal to noise ratio | |
| PHONO (MM) | 72 dB (IHF'66) |
| CD, MD/CD-R, TUNER, TAPE, AUX | 100 dB (IHF'66) |
| PHONO (MM) | 60 dB (DIN, 50 mW output) |
| CD, MD/CD-R, TUNER, TAPE, AUX | 60 dB (DIN, 50 mW output) |
| Input sensitivity/impedance | |
| PHONO (MM) | 2.5 mV/33 kΩ |
| CD, MD/CD-R, TUNER, TAPE, AUX | 200 mV/47 kΩ |
| Tone control | |
| BASS | ±6 dB (at 100 Hz) |
| TREBLE | ±6 dB (at 10 kHz) |
| LOUDNESS control | |
| VOLUME at -30 dB level | +9 dB (at 100 Hz) |
| Output level/impedance | |
| MD/CD-R REC, TAPE REC, | 200 mV/2.7 kΩ |
| General | |
| Power consumption | 130 W |
| Dimensions | |
| | W: 440 mm |
| | H: 95 mm |
| | D: 400 mm |
| Weight (net) | 7.2 kg |



1. KENWOOD follows a policy of continuous advancements in development. For this reason specifications may be changed without notice.
2. The full performance may not be exhibited in extremely cold locations (below freezing).

KAF-1030/3030R

Note:

Component and circuit are subject to modification to insure best operation under differing local conditions. This manual is based on Europe (E) standard, and provides information on regional circuit modification through use of alternate schematic diagrams, and information on regional component variations through use of parts list.

KENWOOD CORPORATION

14-6, Dogenzaka 1-chome, Shibuya-ku, Tokyo, 150-8501 Japan

KENWOOD SERVICE CORPORATION

P.O. BOX 22745, 2201 East Dominguez St., Long Beach, CA 90801-5745, U.S.A.

KENWOOD ELECTRONICS CANADA INC.

6070 Kestrel Road, Mississauga, Ontario, Canada L5T 1S8

KENWOOD ELECTRONICS LATIN AMERICA S.A.

P.O. BOX 55-2791, Piso 6 plaza Chase, Cl. 47 y Aquilino de la Guardia Panama, Republic de Panama

KENWOOD ELECTRONICS BRASIL LTDA.

Av. Moema, 170-17, Andar-Cobertura "B", Ed. Maximum Service Center, 04077-020 Moema, São Paulo-SP-Brasil

KENWOOD ELECTRONICS U.K. LIMITED

KENWOOD House, Dwight Road, Watford, Herts., WD1 8EB., United Kingdom

KENWOOD ELECTRONICS BELGUM N.V.

Meachelsesteenweg 418, B-1930 Zaventem, Belgium

KENWOOD ELECTRONICS DEUTSCHLAND GMBH

Rembrücker Str. 15, 63150 Heusenstamm, Germany

KENWOOD ELECTRONICS FRANCE S.A.

13 Boulevard Ney, 75018 Paris, France

KENWOOD ELECTRONICS ITALIA S.p.A.

Via G. Sirtori, 7/9 20129, Milano, Italy

KENWOOD IBÉRICA S.A.

Bolivia, 239-08020 Barcelona, Spain

KENWOOD ELECTRONICS AUSTRALIA PTY. LTD.

(A.C.N. 001 499 074)

16 Giffnock Avenue, North Ryde, N.S.W. 2113, Australia

KENWOOD ELECTRONICS (HONG KONG) LTD.

Unit 3712-3724, Level 37, Tower 1, Metroplaza, 223 Hing Fong Road, Kwai Fong N.T., Hong Kong

KENWOOD ELECTRONICS GULF FZE

P.O. Box 61318, Jebel Ali, Dubai, U.A.E.

KENWOOD ELECTRONICS SINGAPORE PTE LTD.

No. 1 Genting Lane #02-02, KENWOOD Building, Singapore, 349544

KENWOOD ELECTRONICS (MALAYSIA) SDN BHD.

#4.01 Level 4, Wisma Academy Lot 4A, Jalan 19/1 46300 Petaling Jaya Selangor Darul Ehsan Malaysia

KENWOOD ELECTRONICS (THAILAND) CO., LTD.

2019 New Pechburi Road, Bangkapi, Huaykwang, Bangkok, 10320 Thailand